



US00D689560S

(12) **United States Design Patent**  
**Ibarra**

(10) **Patent No.:** **US D689,560 S**

(45) **Date of Patent:** **\*\* \*Sep. 10, 2013**

(54) **TOY WORKOVER RIG**

(76) Inventor: **Santiago Ibarra**, Liberal, KS (US)

(\* ) Notice: This patent is subject to a terminal disclaimer.

(\*\* ) Term: **14 Years**

(21) Appl. No.: **29/347,758**

(22) Filed: **May 18, 2010**

(51) **LOC (9) Cl.** ..... **21-01**

(52) **U.S. Cl.**  
USPC ..... **D21/552**

(58) **Field of Classification Search**  
USPC ..... D21/533-560; 446/432, 435, 470,  
446/465.489

See application file for complete search history.

(56) **References Cited**

**U.S. PATENT DOCUMENTS**

2,551,036 A	5/1951	Mills
2,846,813 A	8/1958	Giardina
2,960,792 A	11/1960	Cyrus

3,292,301 A	12/1966	Freeman	
3,731,428 A	5/1973	Glass et al.	
D252,229 S	6/1979	Asano	
4,531,654 A	7/1985	Guyon	
D380,992 S *	7/1997	McDaniel	D21/555
D547,397 S *	7/2007	Sasuga	D21/555

\* cited by examiner

*Primary Examiner* — Lisa Lichtenstein

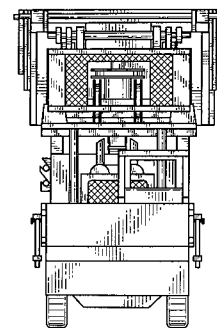
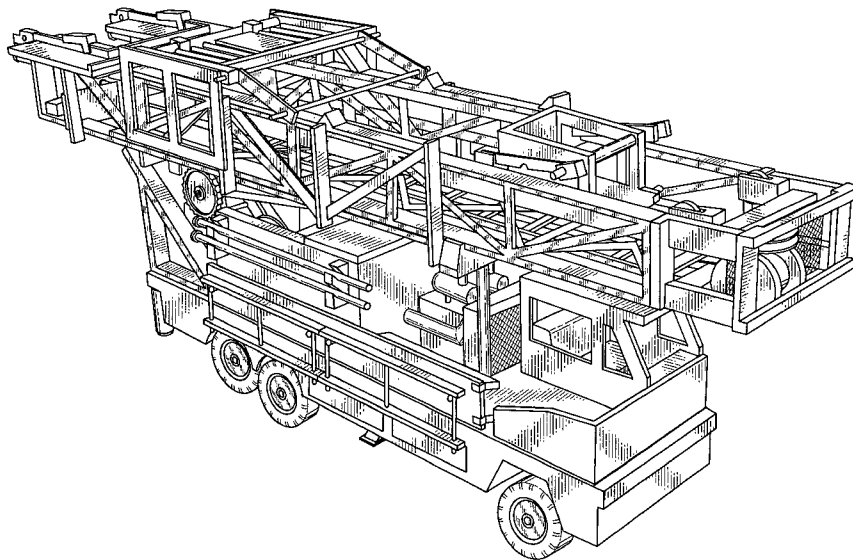
(57) **CLAIM**

The ornamental design for a toy workover rig, as shown and described.

**DESCRIPTION**

FIG. 1 is a perspective view of a toy workover rig showing my new design;  
FIG. 2 is a front elevational view thereof;  
FIG. 3 is a right side elevational view thereof;  
FIG. 4 is a left side elevational view thereof;  
FIG. 5 is a rear elevational view thereof  
FIG. 6 is a top plan view thereof; and,  
FIG. 7 is a bottom plan view thereof.

**1 Claim, 7 Drawing Sheets**



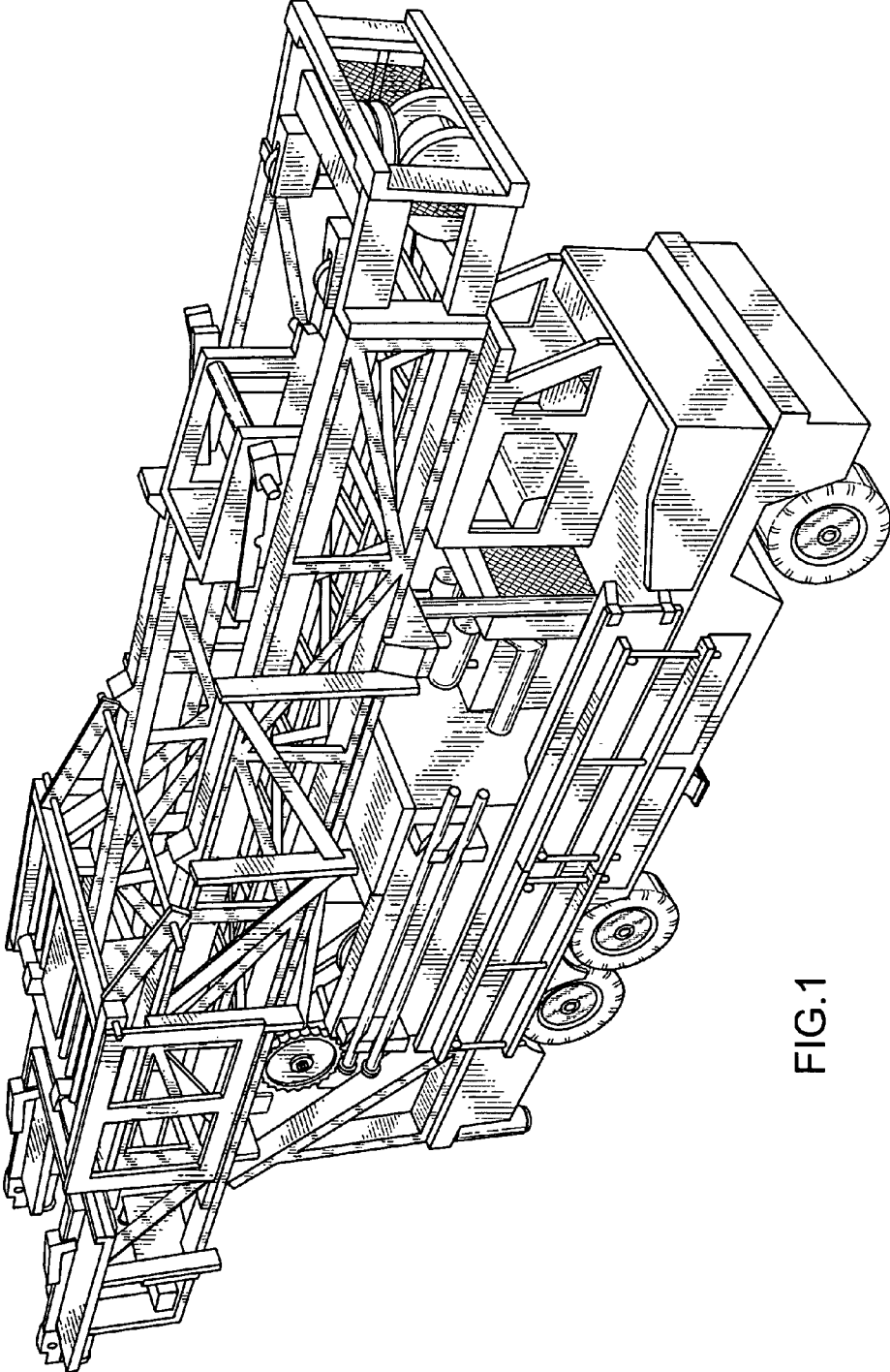


FIG.1

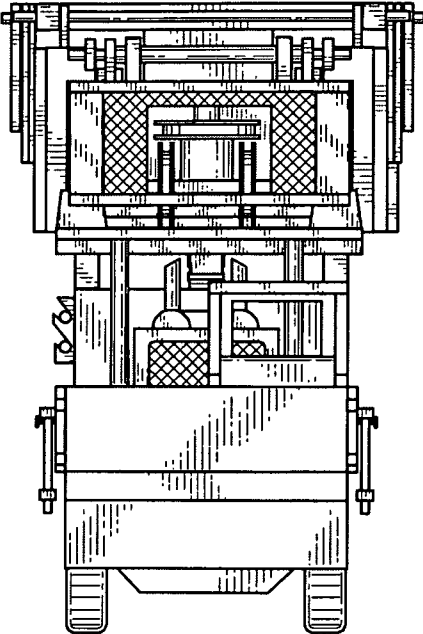


FIG. 2

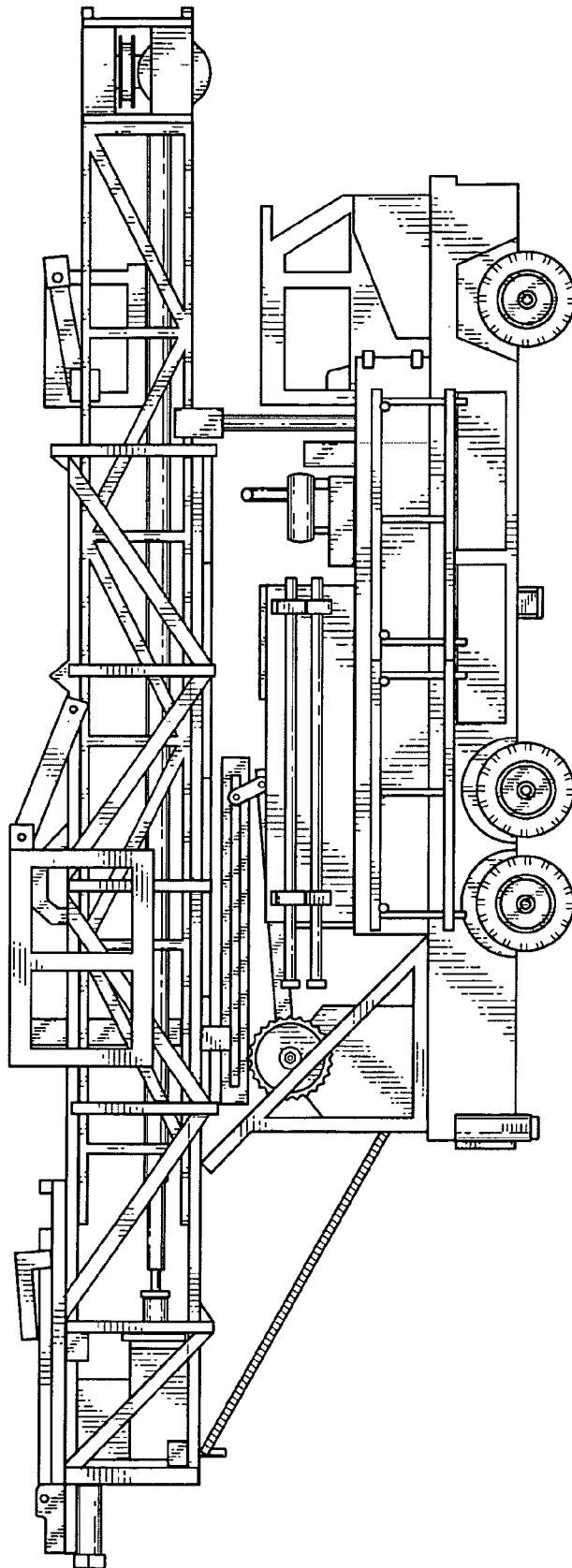


FIG. 3

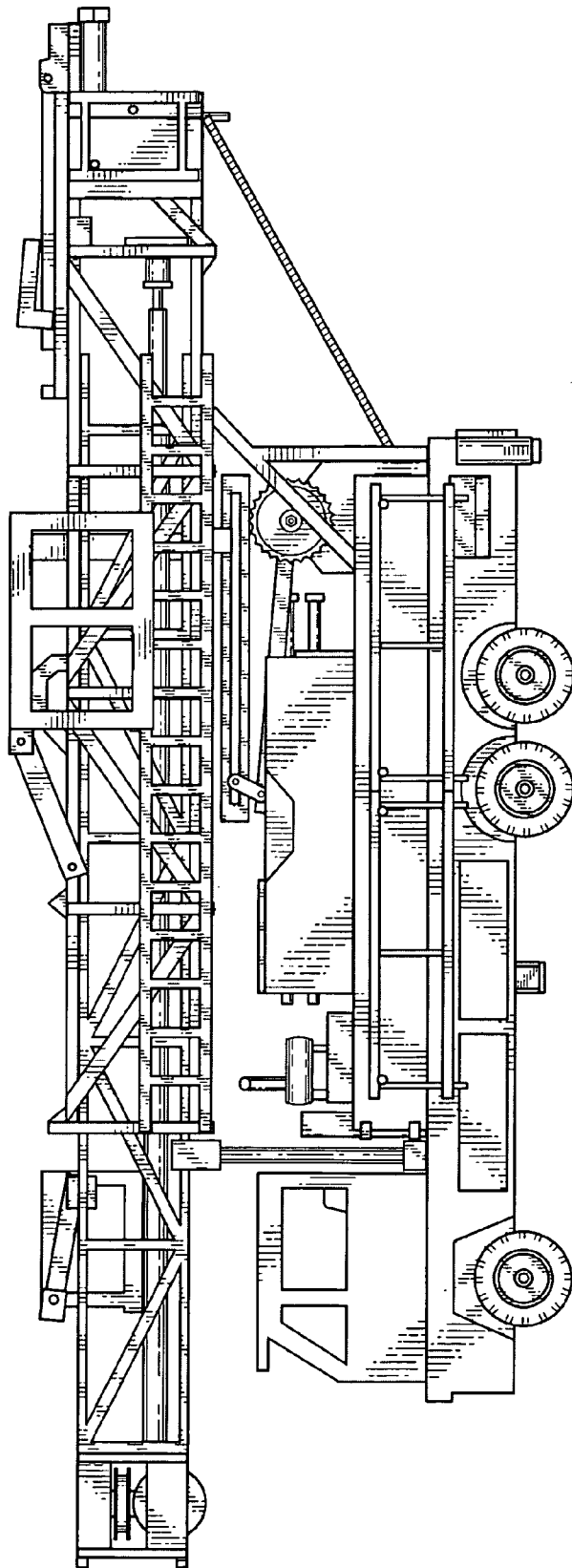


FIG. 4

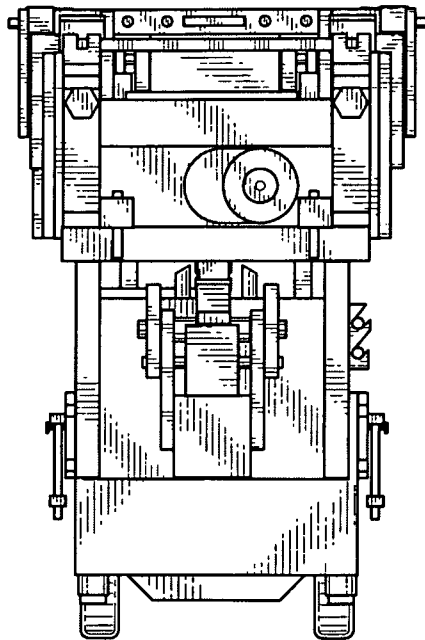


FIG. 5

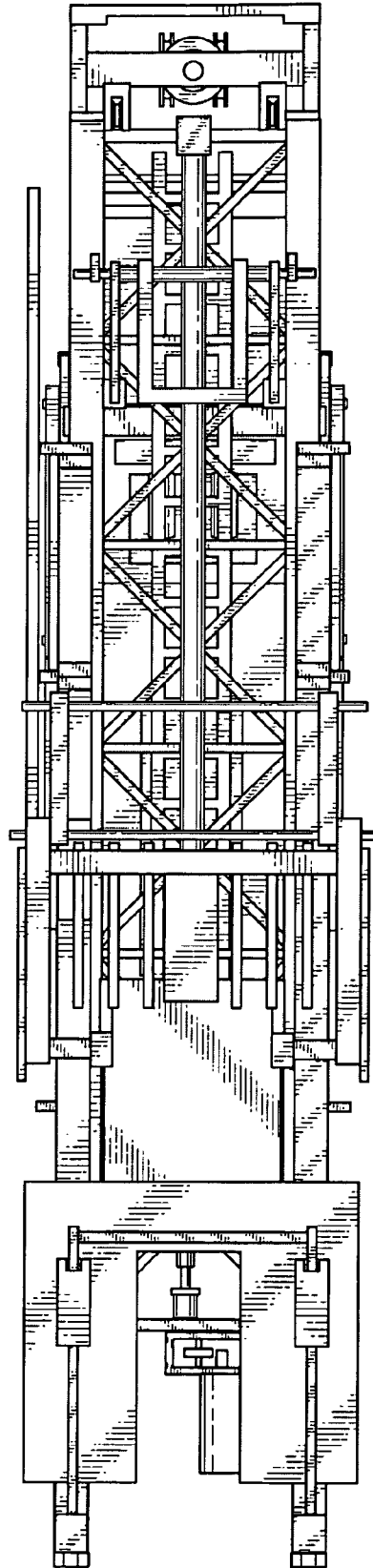


FIG. 6

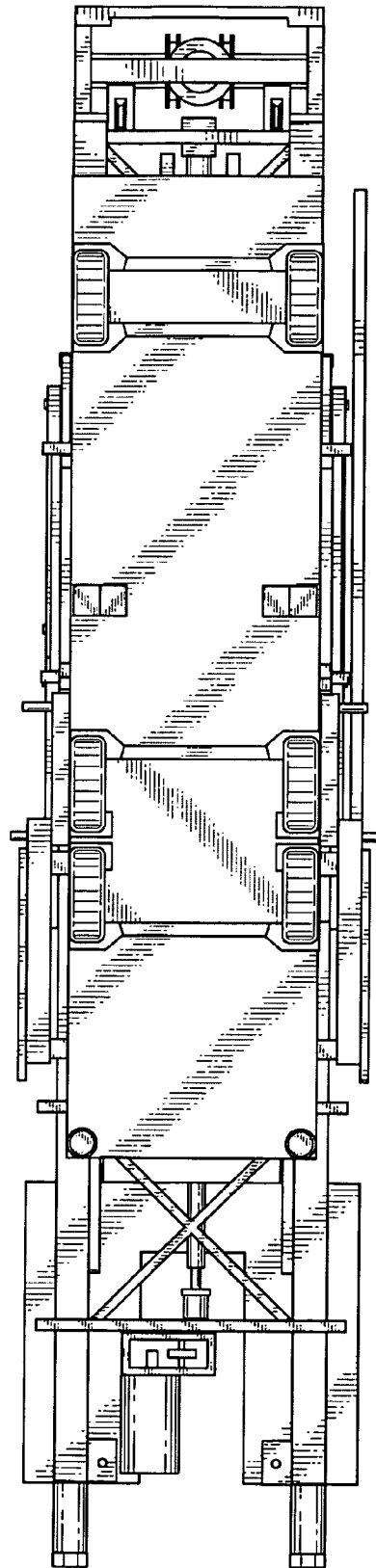


FIG. 7