



US00D547516S

(12) **United States Design Patent**  
**Wolford et al.**

(10) **Patent No.:** **US D547,516 S**

(45) **Date of Patent:** **\*\* Jul. 24, 2007**

(54) **SPORT HELMET SHAPED LID FOR TRASH RECEPTACLE**

D379,023 S \* 4/1997 August ..... D99/37  
D507,181 S \* 7/2005 Malik ..... D9/451  
D532,172 S \* 11/2006 Gianfrisco ..... D34/4

(75) Inventors: **Stephen Wolford**, Phoenix, MD (US);  
**Clint Jorgenson**, Bel Air, MD (US);  
**Larry Ethan Burd**, Forest Hill, MD (US)

\* cited by examiner

*Primary Examiner*—Cynthia E. Ramirez  
(74) *Attorney, Agent, or Firm*—Larry J. Guffey

(73) Assignee: **Fan Cans, LLC**, Baltimore, MD (US)

(57) **CLAIM**

(\*\*) Term: **14 Years**

We claim the ornamental design for a sport helmet shaped lid for trash receptacle, as shown and described.

(21) Appl. No.: **29/230,329**

**DESCRIPTION**

(22) Filed: **May 19, 2005**

FIG. 1 is a front view of a sport helmet shaped lid for trash receptacle showing our new design;

(51) **LOC (8) Cl.** ..... **09-09**

FIG. 2 is a top view thereof;

(52) **U.S. Cl.** ..... **D34/4**

FIG. 3 is a right side view thereof showing the receptacle's top flipped upward;

(58) **Field of Classification Search** ..... D34/1,  
D34/4, 10, 11; D7/604, 606, 625; D9/441,  
D9/451, 435; D11/133, 172, 184, 157; 220/908  
See application file for complete search history.

FIG. 4 is a right side view showing the receptacle's top closed;

(56) **References Cited**

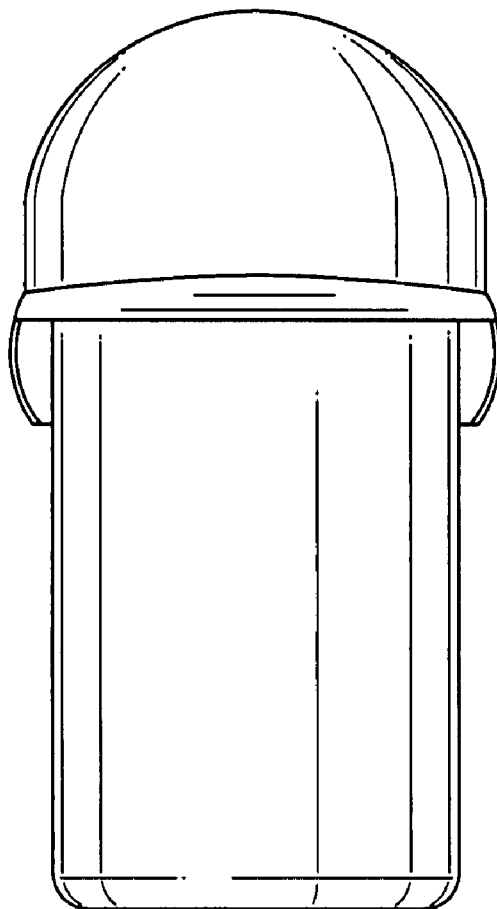
FIG. 5 is a bottom view thereof; and,

**U.S. PATENT DOCUMENTS**

FIG. 6 is a perspective view thereof.

D209,219 S \* 11/1967 Goldstein et al. .... D99/37

**1 Claim, 2 Drawing Sheets**



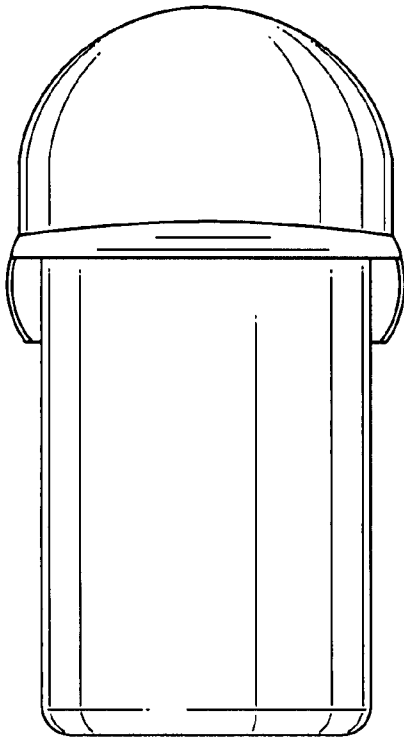


FIG. 1

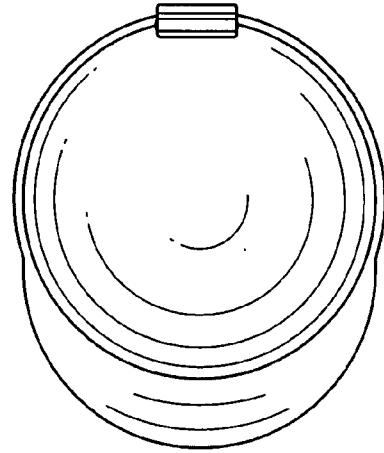


FIG. 2

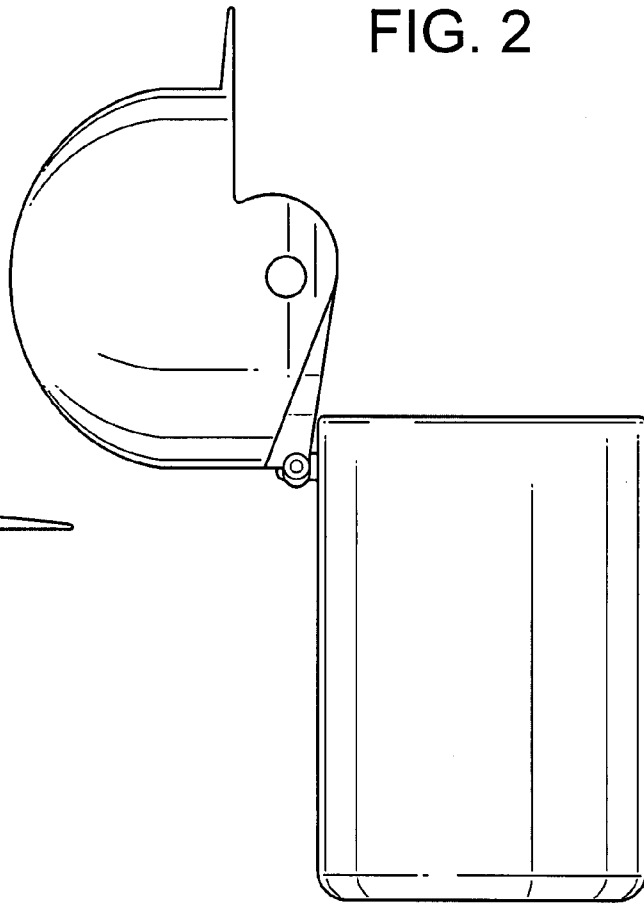


FIG. 3

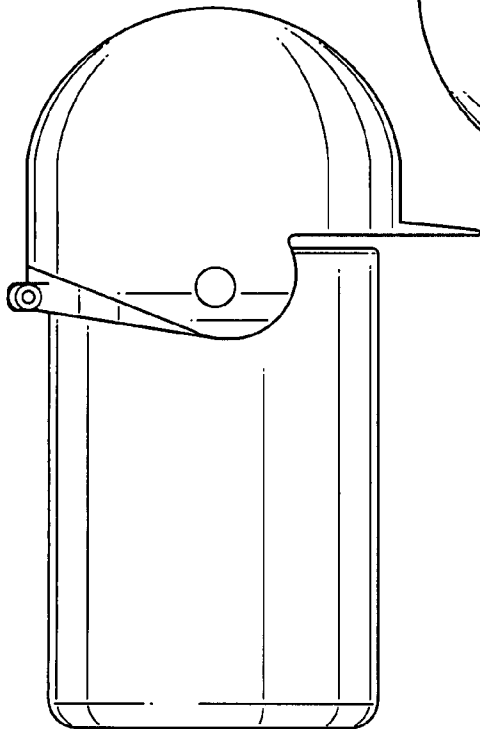


FIG. 4

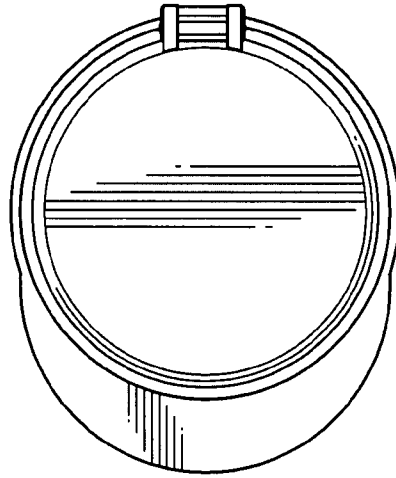


FIG. 5

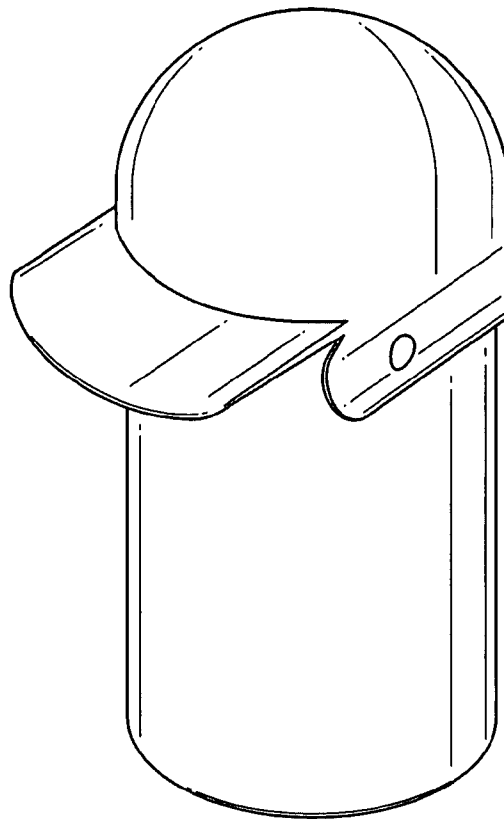


FIG. 6